

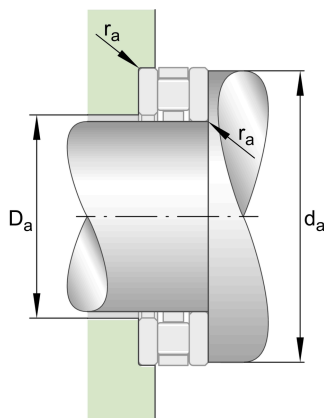
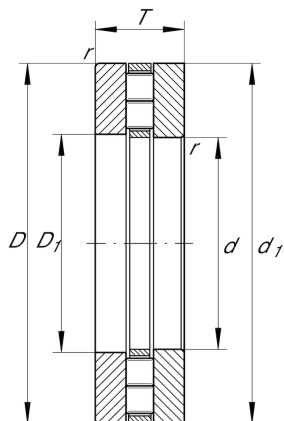
89311-TV

Axial cylindrical roller bearing

Schaeffler ID:
0003617630000

Axial cylindrical roller bearings 893, single direction, comprising K893, GS, WS

Technical information



Main Dimensions & Performance Data

d	55 mm	Bore diameter
D	105 mm	Outside diameter
T	30 mm	Height
C_a	184,000 N	Basic dynamic load rating, axial
C_{0a}	600,000 N	Basic static load rating, axial
C_{ua}	53,000 N	Fatigue load limit, axial
n_G	3,600 1/min	Limiting speed
n_{gr}	1,490 1/min	Reference speed
	1.17 kg	Weight

Dimensions

	K89311-TV	Axial roller and cage assembly
D_1	57 mm	Bore diameter housing washer
	GS89311	Housing Washer
d_1	105 mm	Rip diameter shaft washer
	WS89311	Shaft washer
B	30 mm	Width
r_{min}	1.1 mm	Minimum chamfer dimension
D_{c1}	55 mm	Cage bore diameter

Mounting dimensions

d_a	103 mm	Minimum diameter shaft shoulder
D_a	61 mm	Maximum diameter of housing shoulder
r_a	1.1 mm	Recess radius